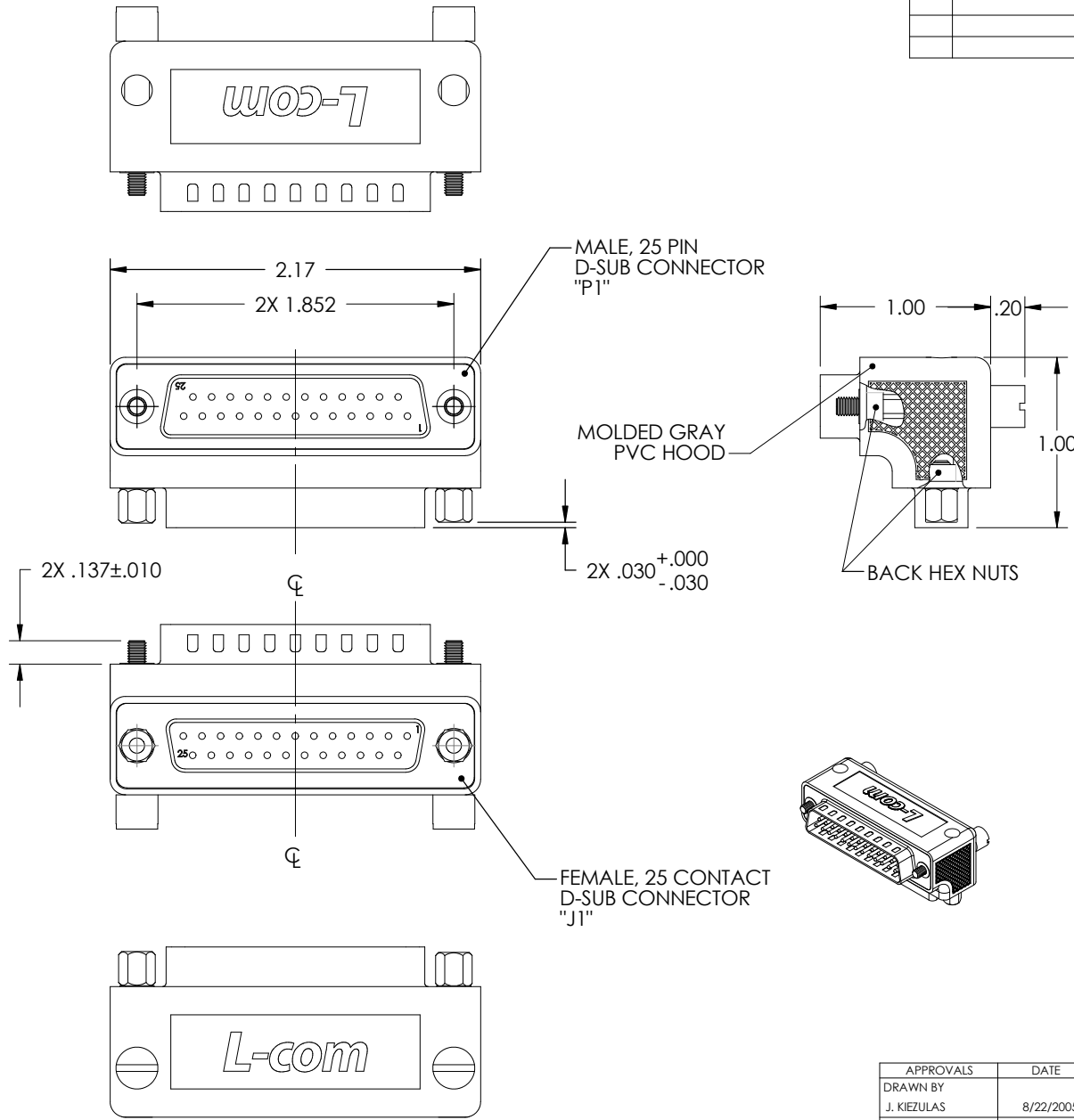


THE INFORMATION CONTAINED IN THIS DRAWING IS THE SOLE PROPERTY OF L-COM, INC. ANY REPRODUCTION IN PART OR WHOLE WITHOUT THE WRITTEN PERMISSION OF L-COM, INC. IS PROHIBITED.

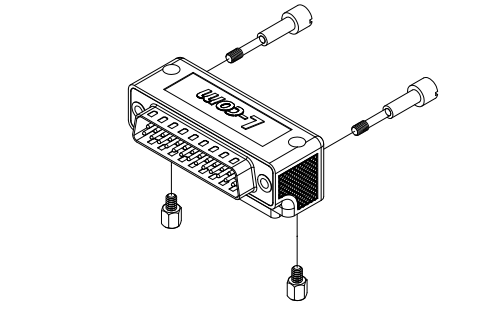
REVISIONS			
REV	DESCRIPTION	DATE	APPROVED
A	INITIAL RELEASE	8/22/05	J. KIEZULAS

WIRING MAP

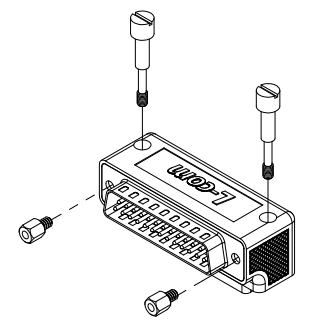
P1	J1
1	1
2	2
3	3
4	4
5	5
6	6
7	7
8	8
9	9
10	10
11	11
12	12
13	13
14	14
15	15
16	16
17	17
18	18
19	19
20	20
21	21
22	22
23	23
24	24
25	25
SHELL	SHELL



HARDWARE CONFIGURATIONS



STANDARD HARDWARE CONFIGURATION



ALTERNATE HARDWARE CONFIGURATION

NOTE:
1. PRODUCT SHIPPED IN STANDARD HARDWARE CONFIGURATION SHOWN ABOVE AND IN EXPLODED VIEW.

UNLESS OTHERWISE SPECIFIED, DIMENSIONS ARE IN INCHES. TOLERANCES ARE:
X ±.1
XX ±.05
XXX ±.005
CABLE LENGTH TOLERANCE
≤300" ±5% >300" ±2%

APPROVALS	DATE
DRAWN BY J. KIEZULAS	8/22/2005
CHECKED BY D. PARHAM	8/22/2005
APPROVED BY R. CARRICK	8/22/2005

CONFIGURATION DETAILS OF UNDIMENSIONED FEATURES MAY VARY

L-com
CONNECTIVITY PRODUCTS
45 BEECHWOOD DRIVE
NORTH ANDOVER, MA
01845

PRODUCT DESCRIPTION
ADPT, DB25M/F RA ORIENTATION 1

DRAWING TITLE

OUTLINE DRAWING

SIZE A	FSCM NO. 43321	DWG. NO. DG9025MF1-OD1	REV. A
SCALE: NONE		CAD FILE: DG9025MF1-OD1.SLDDRW	SHEET 1 OF 1